

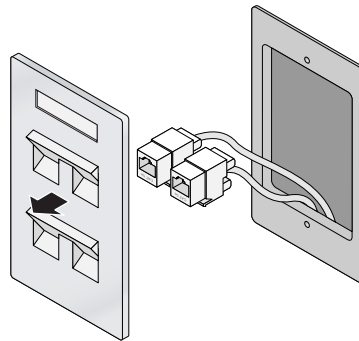
Package Contents

- Single Gang Wall-box Mounting bracket
- 2x #6-23 Machine Screws
- Security Key
- Installation Guide (this document)

Installation

1. Begin by removing the existing data wall plate (if applicable).

Figure 1 Removing Wall Plate (Standard US Single Gang Outlet Box Shown)



2. Remove any existing RJ45 connectors (typically snap-in) or cut/remove the UTP cable.
3. Use a short Ethernet cable (sold separately) to connect the ENET0 port to an RJ45 connector or crimp an RJ45 plug (not supplied) on the cable and insert in the ENET0 port. Do the same for the Pass Through port, if used.
4. Align the mounting holes of the AP mounting bracket with the mounting holes in the gang box as shown in [Figure 2](#) and [Figure 3](#). For worldwide single gang outlet box, the mounting bracket provides two sets of mounting holes for fixing to the box to meet different installation position requirement. See [Figure 3](#) for details.

The applicable standards for the wall boxes are:

- IEC 60670-1, GB17466, BS4662 and DIN49073 for Worldwide
 - ANSI/NEMA OS 1 and OS 2 for US
5. Insert the two included machine screws and tighten them to secure the mounting bracket.



The included machine screws may not fit all wall boxes.

Figure 2 Bracket to Gang Box (US Single Gang Outlet Box Shown)

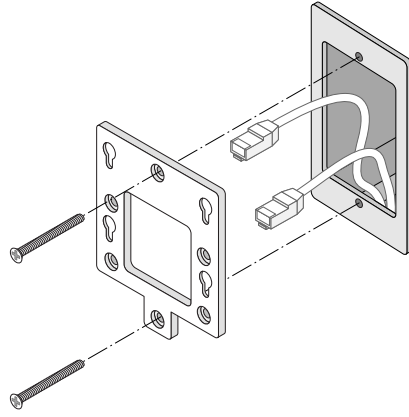
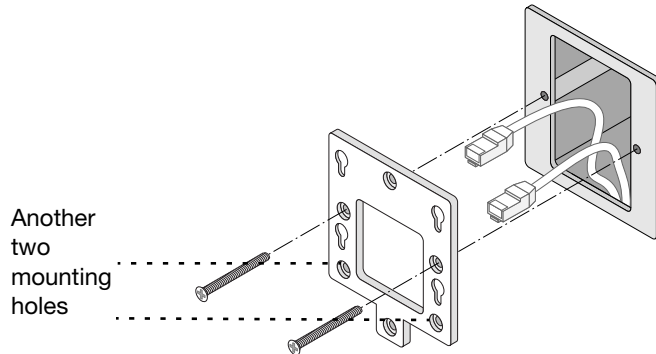


Figure 3 Bracket to Gang Box (Worldwide Single Gang Outlet Box Shown)



6. Connect any required cables to the back of the AP.
7. Align the mounting posts on the back of the AP with the corresponding mounting holes on the mounting bracket as shown in [Figure 4](#).
8. Push the AP against the holes and downward until the posts engage the slots at the top of the mounting holes. See [Figure 4](#) and [Figure 5](#) for more details.

Figure 4 Fitting AP to Bracket

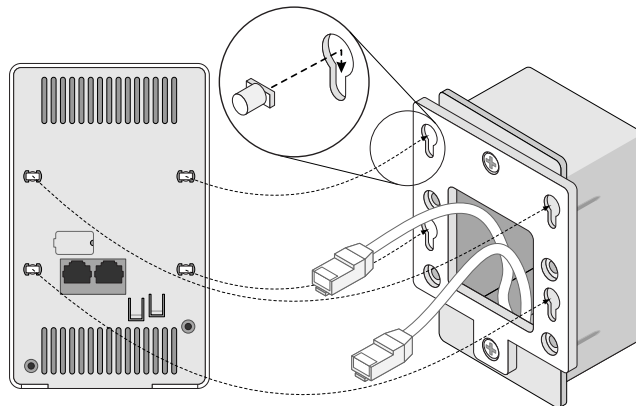
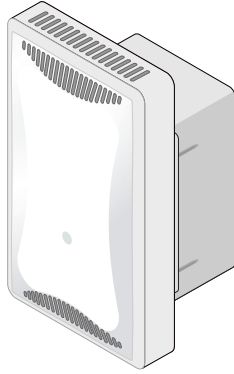


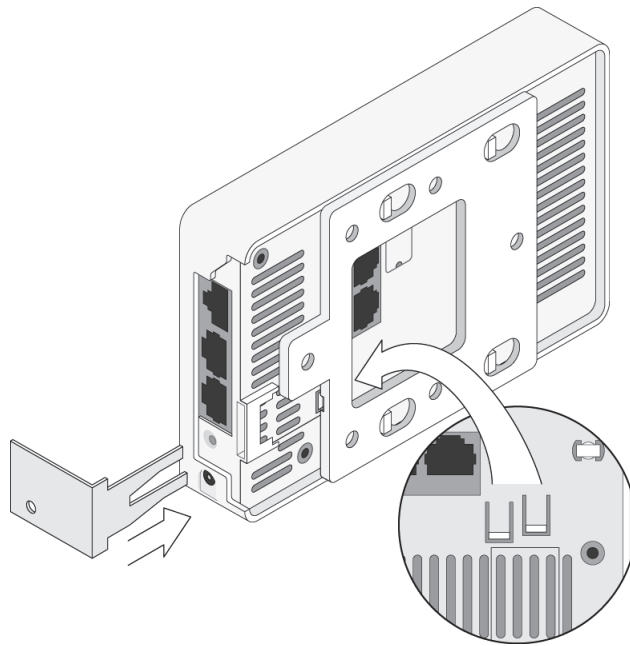
Figure 5 *Completed Installation*



Removing the AP

1. To remove the AP from the mounting bracket, begin by inserting the security key into the hole as shown in [Figure 6](#).
2. Use the security key to depress the tab on the AP and push the AP up, releasing the AP from the mounting holes on the bracket.

Figure 6 *Removing AP*



3. If not using PoE, connect the AC-DC power adapter (sold separately) to the DC power socket located on the bottom of the AP.

This page is intentionally left blank.



0511626-02